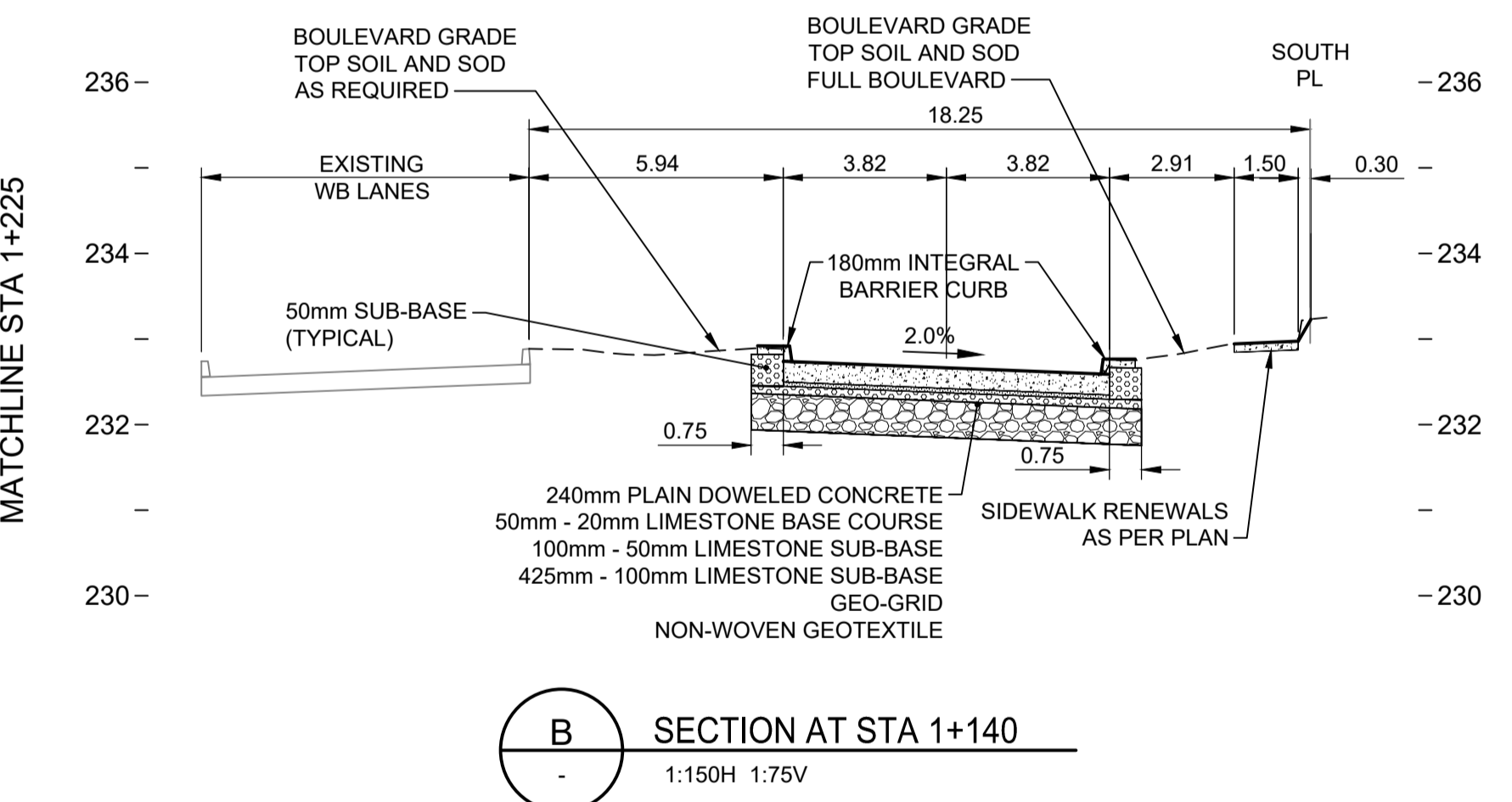
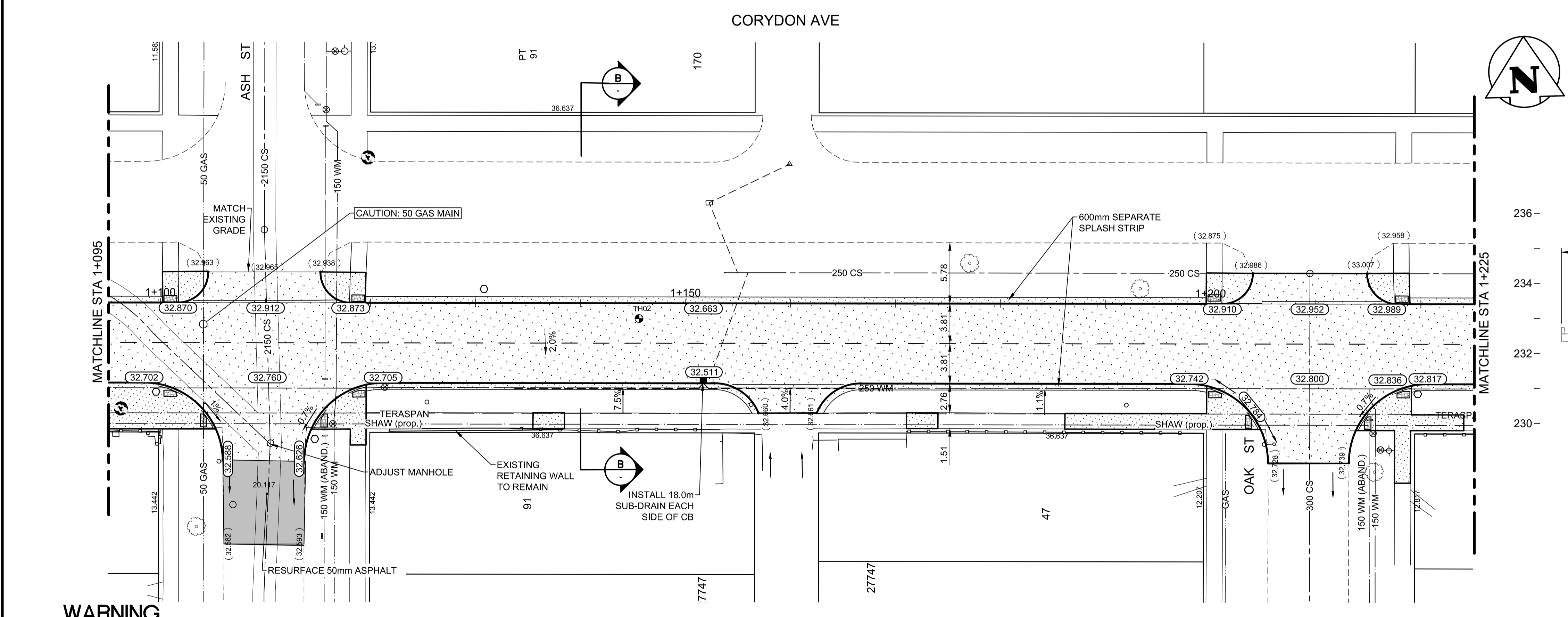


- NOTES:
- ADJUST EXISTING MANHOLES AS REQUIRED.
 - ADJUST EXISTING VALVE AS REQUIRED.
 - FOR CB'S LEADS AND UNDERGROUND INFO SEE SHEET 24 TO 29.
 - INSTALL SUB-DRAINS AS PER PLAN DRAWINGS AS PER SD-245 c/w CAPPED ENDS.
 - PRIVATE APPROACHES ARE 200mm REINFORCED CONCRETE WITH 75mm BASE COURSE, 225mm-50mm SUB-BASE AND NON-WOVEN GEOTEXTILE.
 - RETAIN EXISTING SUB-BASE AND REPLACE CONCRETE SLABS ONLY WHERE PUBLIC LANES, MEDIAN OPENINGS, AND LOCAL STREET TIE-INS WERE RECENTLY RECONSTRUCTED, AS DIRECTED BY THE CONTRACT ADMINISTRATOR.
 - REFER TO TENDER SPECIFICATIONS FOR CONSTRUCTION REQUIREMENTS WORKING ON OR NEAR EXISTING GAS MAINS.
 - REFER TO TENDER SPECIFICATIONS FOR CONSTRUCTION REQUIREMENTS FOR WORKING ON OR NEAR EXISTING 900 FEEDERMAIN.
 - BLUE PAVERS INSET IN SIDEWALK TO BE CONSTRUCTED AT EACH TRANSIT STOP AND WETSET CLAMP AS PER DETAIL ON SHEET 55.



WARNING

IF POWER EQUIPMENT OR EXPLOSIVES ARE TO BE USED FOR EXCAVATION ON THIS PROJECT THE CONTRACTOR MUST:

- NOTIFY THE GAS COMPANY OF THE PROPOSED LOCATION OF EXCAVATION.
- TAKE PRECAUTION TO AVOID DAMAGE TO GAS COMPANY INSTALLATIONS.

SEE PROVINCIAL REGULATION 140/92 FOR DETAILS

METRIC

WHOLE NUMBERS INDICATE MILLIMETRES
DECIMALIZED NUMBERS INDICATE METRES

EXISTING	PROPOSED	EXISTING	PROPOSED	EXISTING	PROPOSED	EXISTING	PROPOSED
150 WM	150 WM	150 WM	150 WM	HYDRO	HYDRO	3 PROFILE	3 PROFILE
HYDRANT	HYDRANT	M.T.S.	M.T.S.	CONCRETE	CONCRETE	NORTH OR WEST GUTTER	NORTH OR WEST GUTTER
VALVE	VALVE	CONCRETE	CONCRETE	ASPHALT	ASPHALT	SOUTH OR EAST GUTTER	SOUTH OR EAST GUTTER
300 LDS	300 LDS	ASPHALT	ASPHALT	SIDEWALK	SIDEWALK	NORTH MEDIAN GUTTER	NORTH MEDIAN GUTTER
250 WWS	250 WWS	ASPHALT MILL & FILL	ASPHALT MILL & FILL	STREET LIGHT	STREET LIGHT	SOUTH MEDIAN GUTTER	SOUTH MEDIAN GUTTER
MANHOLE	MANHOLE	STREET LIGHT	STREET LIGHT	HYDRO POLE	HYDRO POLE	NORTH OR WEST P L	NORTH OR WEST P L
CATCH BASIN	CATCH BASIN	SURVEY BAR	SURVEY BAR	ELEVATION	ELEVATION	SOUTH OR EAST P L	SOUTH OR EAST P L
CURB INLET/CATCH PIT	CURB INLET/CATCH PIT	ELEVATION	ELEVATION	SIDEWALK RAMP	SIDEWALK RAMP		
TRANSIT STOP	TRANSIT STOP	SIDEWALK RAMP	SIDEWALK RAMP				
GAS	GAS						
PROPERTY LINE	PROPERTY LINE						
LEGEND-PLAN	LEGEND-PLAN						

LOCATION APPROVED UNDERGROUND STRUCTURES

SUPV. U/G STRUCTURES COMMITTEE DATE

NOTE:
LOCATION OF UNDERGROUND STRUCTURES AS SHOWN ARE BASED ON THE BEST INFORMATION AVAILABLE BUT NO GUARANTEE IS GIVEN THAT ALL EXISTING UTILITIES ARE SHOWN OR THAT THE GIVEN LOCATIONS ARE EXACT. CONFIRMATION OF EXISTENCE AND EXACT LOCATION OF ALL SERVICES MUST BE OBTAINED FROM THE INDIVIDUAL UTILITIES BEFORE PROCEEDING WITH CONSTRUCTION.

NO.	REVISIONS	DATE	BY
0	ISSUED FOR TENDER	20.02.14	S.R.S.

Stantec
500 - 311 Portage Avenue, Winnipeg MB Canada
www.stantec.com

DESIGNED BY: D.C.P. CHECKED BY: R.K.H.
DRAWN BY: R.S. APPROVED BY: S.R.S.

HOR. SCALE: 1:250
VERTICAL: 1:10

RELEASED FOR CONSTRUCTION: DATE

ENGINEER'S SEAL

PRELIMINARY DRAWING

NOT TO BE USED FOR CONSTRUCTION

CONSULTANT DRAWING NO. C-202

THE CITY OF WINNIPEG
PUBLIC WORKS DEPARTMENT
ENGINEERING DIVISION

2019-2023 STAFFORD/TAYLOR/CORYDON
TENDER 1
CORYDON AVENUE
STA 1+095 TO STA 1+225
ROADWORKS - RECONSTRUCTION

SHEET 7 OF 55
CAD FILE DRAWING NUMBER 08020c-201-932.dwg
CITY DRAWING NUMBER P-3524-07